

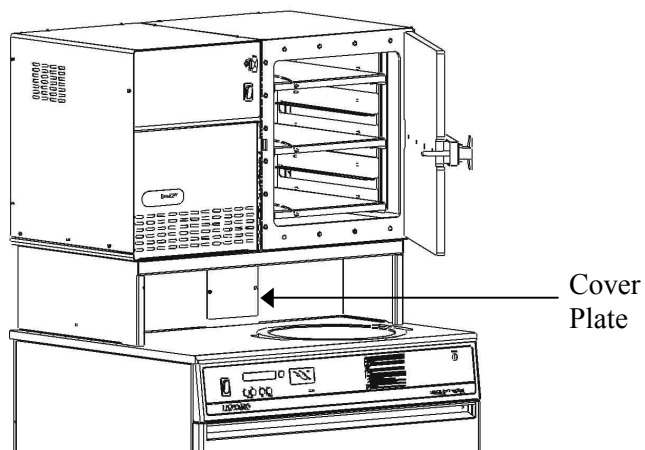
Model 7761500 - Isolation Valve for FreeZone® Stoppering Tray Dryer and Bulk Tray Dryer

Introduction-

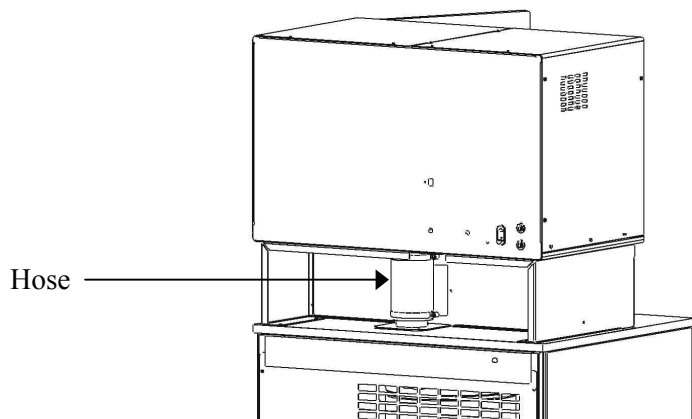
The Isolation Valve installs between the Stoppering or Bulk Tray Dryer and the 6, 12 or 18 Liter Freeze Dry System. Closing the Isolation Valve isolates the vacuum in the Tray Dryer from the Freeze Dry System. This Isolation Valve cannot be used with the 6-Port Manifold.

Installation-

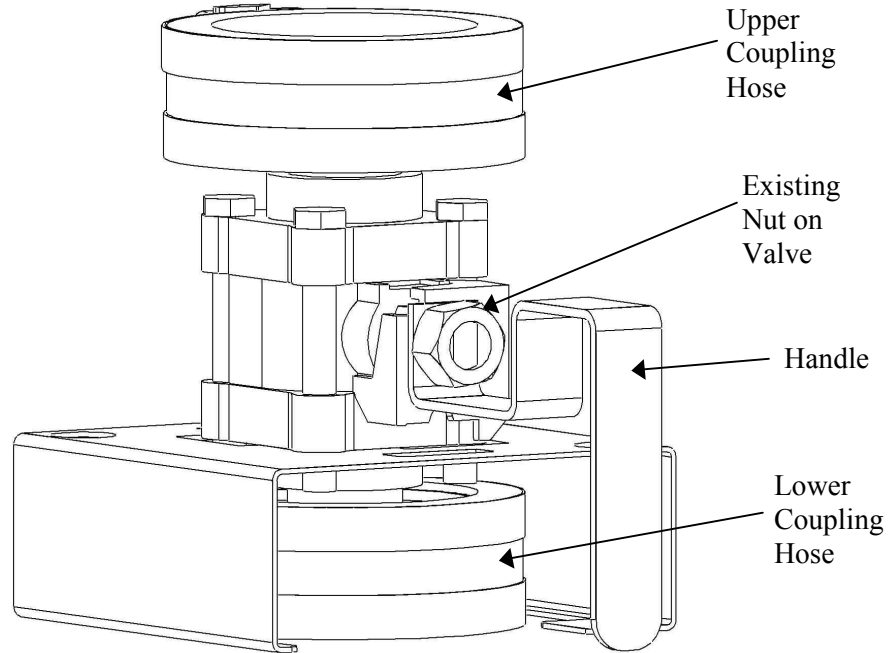
1. Remove the cover plate from the front center of the support stand by removing two screws.



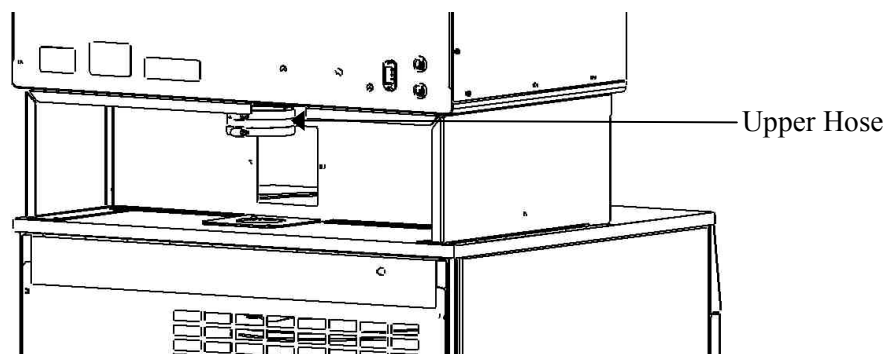
2. Loosen the two clamps in the rear that secure the hose connecting the Tray Dryer to the Freeze Dry System. Remove the hose.



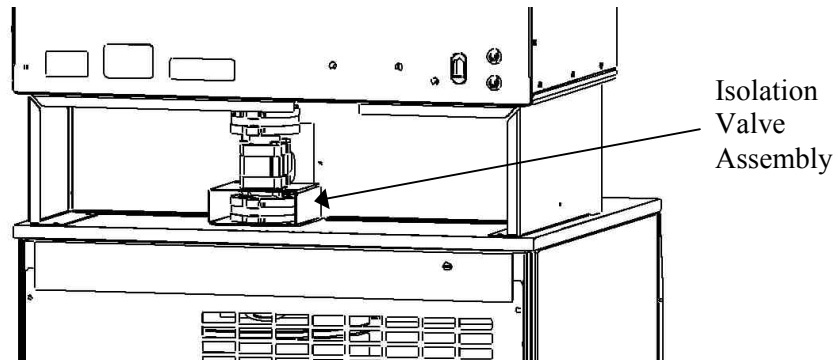
3. Attach the handle to the valve using the nut on the valve. The end of the handle should point downward. Slide the grip over the handle. Slide the lower coupling hose ALL the way onto the bottom of the valve fitting. Tighten clamps just enough to hold them in place.



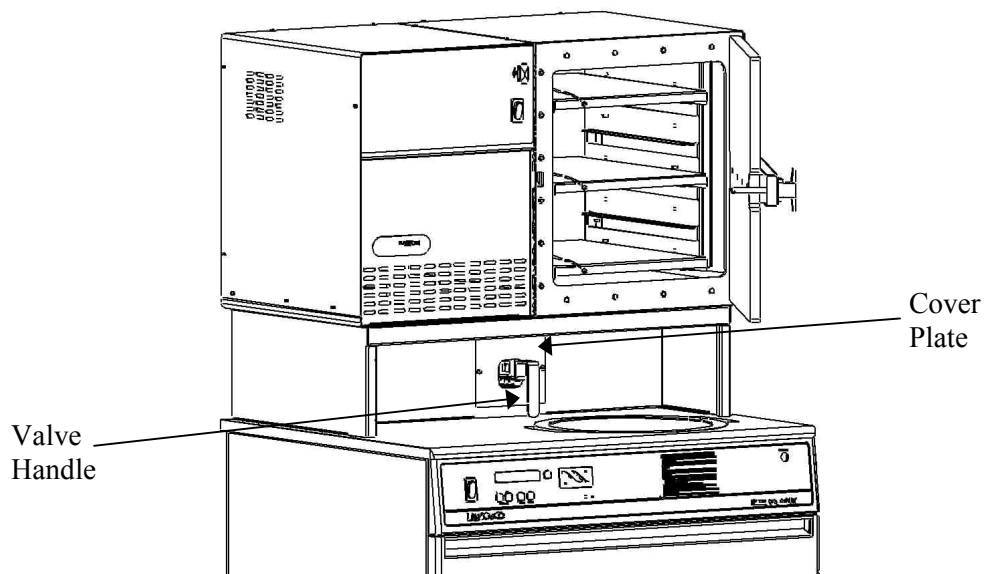
4. Place the new upper coupling hose, that is shipped assembled to the top of the valve, on the 3 inch diameter tube that extends down from the Tray Dryer. Place two hose clamps around the hose and tighten just enough to hold them in place.



- From the rear, position the valve assembly over the 3 inch port in the base unit. Attach using the two capscrews supplied.



- Slide both connecting hoses downward and clamp securely.
- From the front of the freeze dryer, install the new cover plate using the two screws supplied.



Warranty-

Labconco provides a warranty on all parts and factory workmanship. The warranty includes areas of defective material and workmanship, provided such defect results from normal and proper use of the equipment.

The warranty for all Labconco products will expire one year from date of installation or two years from date of shipment from Labconco, whichever is sooner, except the following:

- Purifier® Delta® Series Biological Safety Cabinets carry a three-year warranty from date of installation or four years from date of shipment from Labconco, whichever is sooner.
- Carts carry a lifetime warranty.
- Glassware is not warranted from breakage when dropped or mishandled.

This limited warranty covers parts and labor, but not transportation and insurance charges. In the event of a warranty claim, contact Labconco Corporation or the dealer who sold you the product. If the cause is determined to be a manufacturing fault, the dealer or Labconco Corporation will repair or replace all defective parts to restore the unit to operation. Under no circumstances shall Labconco Corporation be liable for indirect, consequential, or special damages of any kind. This statement may be altered by a specific published amendment. No individual has authorization to alter the provisions of this warranty policy or its amendments. Lamps and filters are not covered by this warranty. Damage due to corrosion or accidental breakage is also not covered.

Shipping Claims-

If a shipment is received in visibly damaged condition, be certain to make a notation on the delivering carrier's receipt and have his agent confirm the damage on your receipt. Otherwise, the damage claim may be refused.

If concealed damage or pilferage is discovered, notify the carrier immediately and retain the entire shipment intact for inspection. Interstate Commerce Commission rules requires that the claim be filed with the carrier within 15 days after delivery.

NOTE: Do not return goods. Goods returned without prior authorization will not be accepted. Labconco Corporation and its dealers are not responsible for shipping damage. The recipient must file claims directly with the freight carrier. If authorization has been received to return this product, by accepting this approval, the user assumes all responsibility and liability for biological and chemical decontamination and cleansing. Labconco reserves the right to refuse delivery of any products that do not appear to have been properly cleaned and/or decontaminated prior to return.

For more information, please contact us:

[ExpotechUSA](#)
[10700 Rockley Road](#)
[Houston, Texas 77099](#)
[USA](#)

[281-496-0900 \[voice\]](#)

[281-496-0400 \[fax\]](#)

E-mail: sales@expotechusa.com

Website: www.ExpotechUSA.com