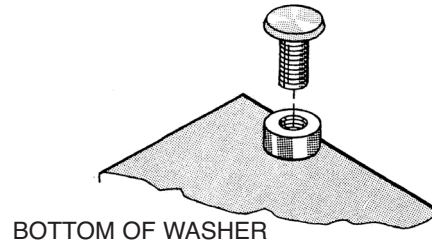


# Labconco Glassware Washer Quick Guide to Installation

*Please note: This Quick Guide to Installation may not provide all the information all the information necessary for your particular installation. Refer to the User's Manual for details and important precautions.*

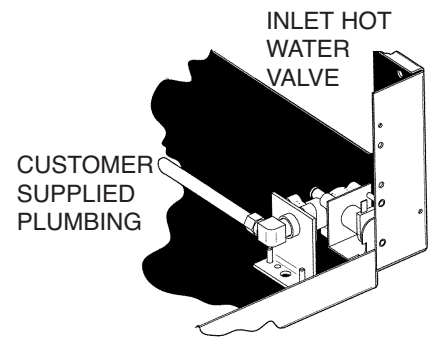
## 1. Installing the leveling feet or casters:

- Place the washer on its back and remove the four shipping bolts.
- Screw in the four leveling feet (or casters if equipped).



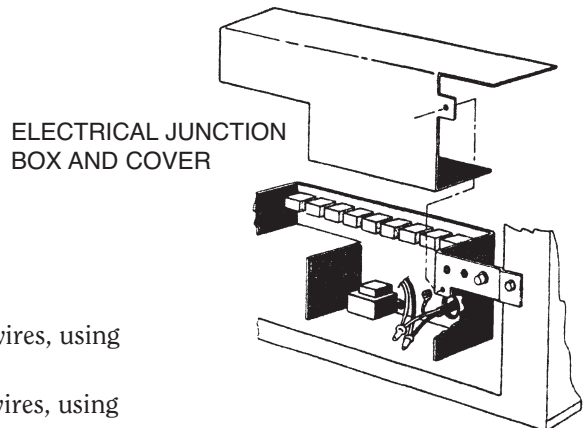
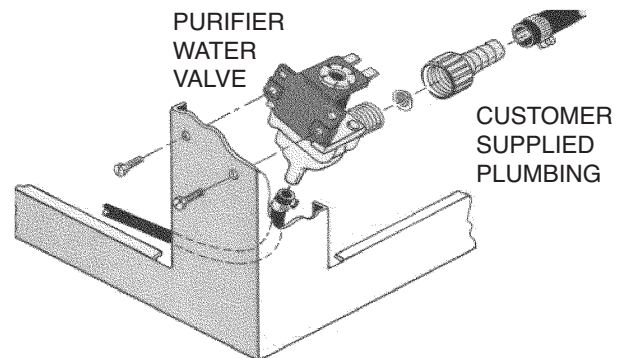
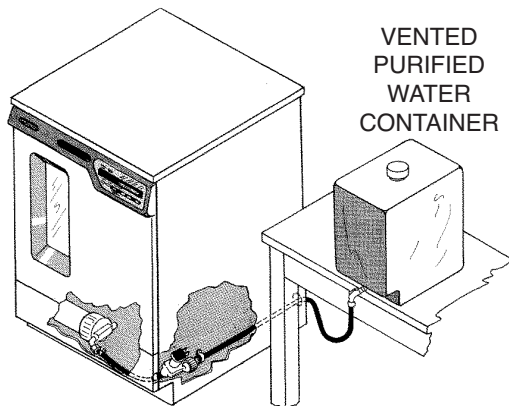
## 2. Hot Water Requirements:

- Hot water supply of 120°F or higher.
- Pressure between 20-120 psig.
- Verify required flow rate of 1.25 gallons per minute.
- Connect hot water with 3/8" OD copper tube.
- Note: Install hot water inlet shutoff valve and an extra 3' diameter coil of copper tubing behind the washer to allow easy servicing.



## 3. Purified Water Requirements:

- Washer may be connected to a pressurized purified water system OR gravity fed from a purified water storage container.
- Verify required flow rate of 1.25 gallons per minute.
- Each wash cycle requires a total of 5.8 gal., (or 2.9 gal. per rinse).
- Connect with a 3/8" ID tubing or female 3/4" hose fitting.

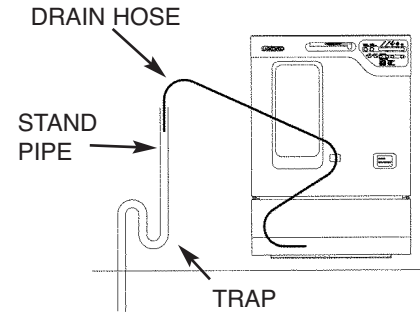


## 4. Electrical Requirements:

- 20 Amp circuit is required for 115V and 230V models.
- 115V models: Connect the supply wires to the black and white wires, using wire nuts.
- 230V models: Connect the supply wires to the brown and blue wires, using wire nuts.
- Connect the ground wire to the green screw.

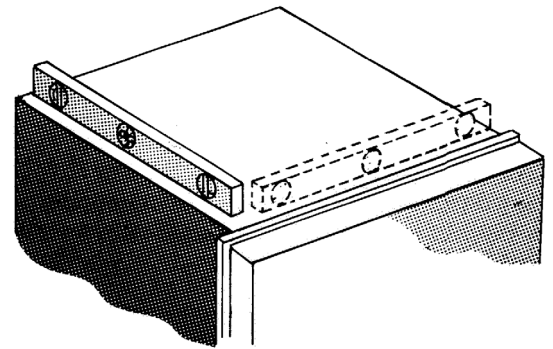
## 5. Drain Requirements:

- The use of an air gap (ordered separately from your plumbing supplier) or a stand pipe in the drain line is recommended for all installations to prevent the siphoning of wastewater into the washer. An alternate method using a stand pipe is shown. Mobile washers drain to a sink through the quick disconnect hose provided. See step 8.
- With drain hose clamped to the rear of the washer, hose must hang lower than the clamp to prevent backflow into the washer.
- Connect to the building drainpipe and secure with a clamp.



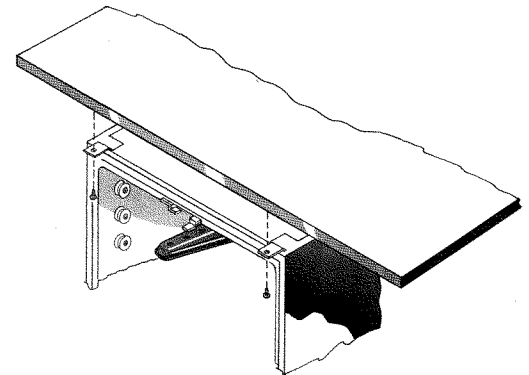
## 6. Leveling the Washer & Adjusting the Door:

- When the washer is in its final location, check to ensure it is reasonably level.
- **NOTE:** *If the washer door is not centered in the opening, center the door by adjusting the front leveling feet.*



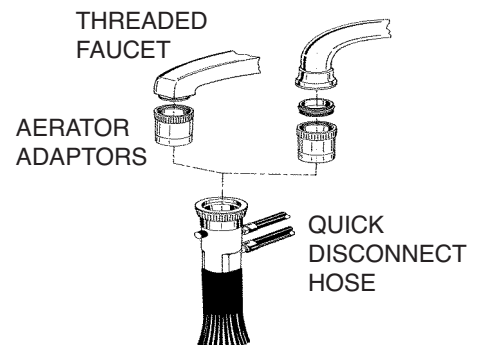
## 7. Attaching Undercounter Washers to Countertop:

- Install two screws through the holes in the top clips, securing the unit to the countertop. This will keep the washer stable in the event too much weight is placed on the door or racks.



## 8. Installing Faucet Adapter for Mobile Washers Only:

- Mobile models connect to a sink faucet for hot water supply and drain with quick disconnect hose provided. Two standard faucet adapter fittings are provided.



## 9. Test:

- Turn on electrical power, hot water and purified water sources.
- To test the systems, run the diagnostics, (see User's Manual p 33). Hold in the bottom right-hand button while closing the door latch. Press "Select" and monitor the various components.
- Check all tubing connections for leaks.

For more information, please contact us:

[ExpotechUSA](#)  
[10700 Rockley Road](#)  
[Houston, Texas 77099](#)  
[USA](#)

[281-496-0900 \[voice\]](#)

[281-496-0400 \[fax\]](#)

E-mail: [sales@expotechusa.com](mailto:sales@expotechusa.com)

Website: [www.ExpotechUSA.com](http://www.ExpotechUSA.com)