



SoLo™ Hydraulic Lift Base Stands

*Providing mobile support for Purifier® Delta® Series Class II,
Type A2 Safety Cabinets & PuriCare™ Procedure Stations*

NEW



*Protecting your
laboratory environment*

LABCONCO

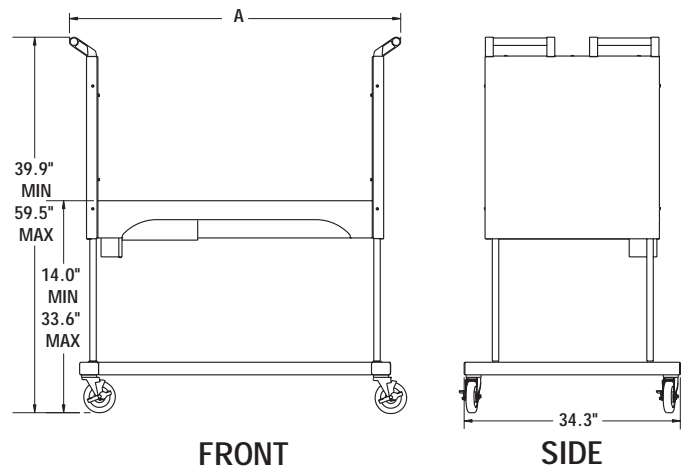
SoLo™ Hydraulic Lift Base Stands



SoLo™ Hydraulic Lift Base Stands are specifically designed to support Purifier® Delta® Series Class II, Type A2 Biological Safety Cabinets & PuriCare™ Procedure Stations. The hydraulic lift system permits the stand to be lowered to allow the safety cabinet or procedure station to be transported through standard doorways as low as 78" high. Casters provide mobility and lock in place for stability.



- Support any Purifier Delta Series Class II, Type A2 Safety Cabinet or PuriCare Procedure Station.
- Meet the minimum requirements of NSF Standard 49 for overturn resistance stability when used with Purifier Delta Series Cabinets.
- ADA-compliant.
- Durable epoxy-coated steel construction.
- Support loads up to 1300 pounds (590 kg).
- Built-in hydraulic lift is operated by a remote control with buttons for upward and downward movement. Height adjustment positions the enclosure for persons of different statures, wheel-chair bound users, transport through doorways, and easier service access to upper components.
- Infinitely adjustable height provides work surface heights from 17.2" to 36.8" and overall enclosure height as low as 76.2".
- 5" diameter, toe-locking, non-marking polyurethane casters with bearings for quiet operation.
- Two handle bars on each side facilitate transport. Bars are durable PVC-coated steel tubes with polyamide brackets.



Nominal Width	Actual Width (A)	Catalog #	Electrical Requirements	Additional Load Capacity*	For Use With:		Shipping Weight
					Purifier Delta Series Safety Cabinet	PuriCare Procedure Station	
3-Ft	52.5"	3780310	115 volts, 60 Hz, 2 amps	700 lbs. (318 kg)	3620400, 3620404, 3620500, 3620504, 3620510, 3620514	—	340 lbs. (154 kg)
3-Ft	52.5"	3780314	230 volts, 50 Hz, 3 amps	700 lbs. (318 kg)	3620520, 3620524	—	340 lbs. (154 kg)
4-Ft	64.5"	3780311	115 volts, 60 Hz, 2 amps	600 lbs. (272 kg)	3620800, 3620804, 3620900, 3620904, 3620910, 3620914	3800000, 3800001	410 lbs. (186 kg)
4-Ft	64.5"	3780315	230 volts, 50 Hz, 3 amps	600 lbs. (272 kg)	3620920, 3620924, 3620930, 3620924	3800020, 3800021	410 lbs. (186 kg)
5-Ft	76.5"	3780312	115 volts, 60 Hz, 2 amps	500 lbs. (227 kg)	3620000, 3620004, 3620100, 3620104	—	460 lbs. (209 kg)
5-Ft	76.5"	3780316	230 volts, 50 Hz, 3 amps	500 lbs. (227 kg)	3620120, 3620124	—	460 lbs. (209 kg)
6-Ft	88.5"	3780313	115 volts, 60 Hz, 2 amps	350 lbs. (159 kg)	3621200, 3621204, 3621300, 3621304, 3621310, 3621314	3810000, 3810001	500 lbs. (227 kg)
6-Ft	88.5"	3780317	230 volts, 50 Hz, 3 amps	350 lbs. (159 kg)	3621320, 3621324	3810020, 3810021	500 lbs. (227 kg)

* Maximum weight of equipment loaded in safety cabinet or station, excluding weight of the safety cabinet or station.

For more information, please contact us:

ExpotechUSA

10700 Rockley Road
Houston, Texas 77099
USA

281-496-0900 [voice]

281-496-0400 [fax]

E-mail: sales@expotechusa.com

Website: www.ExpotechUSA.com