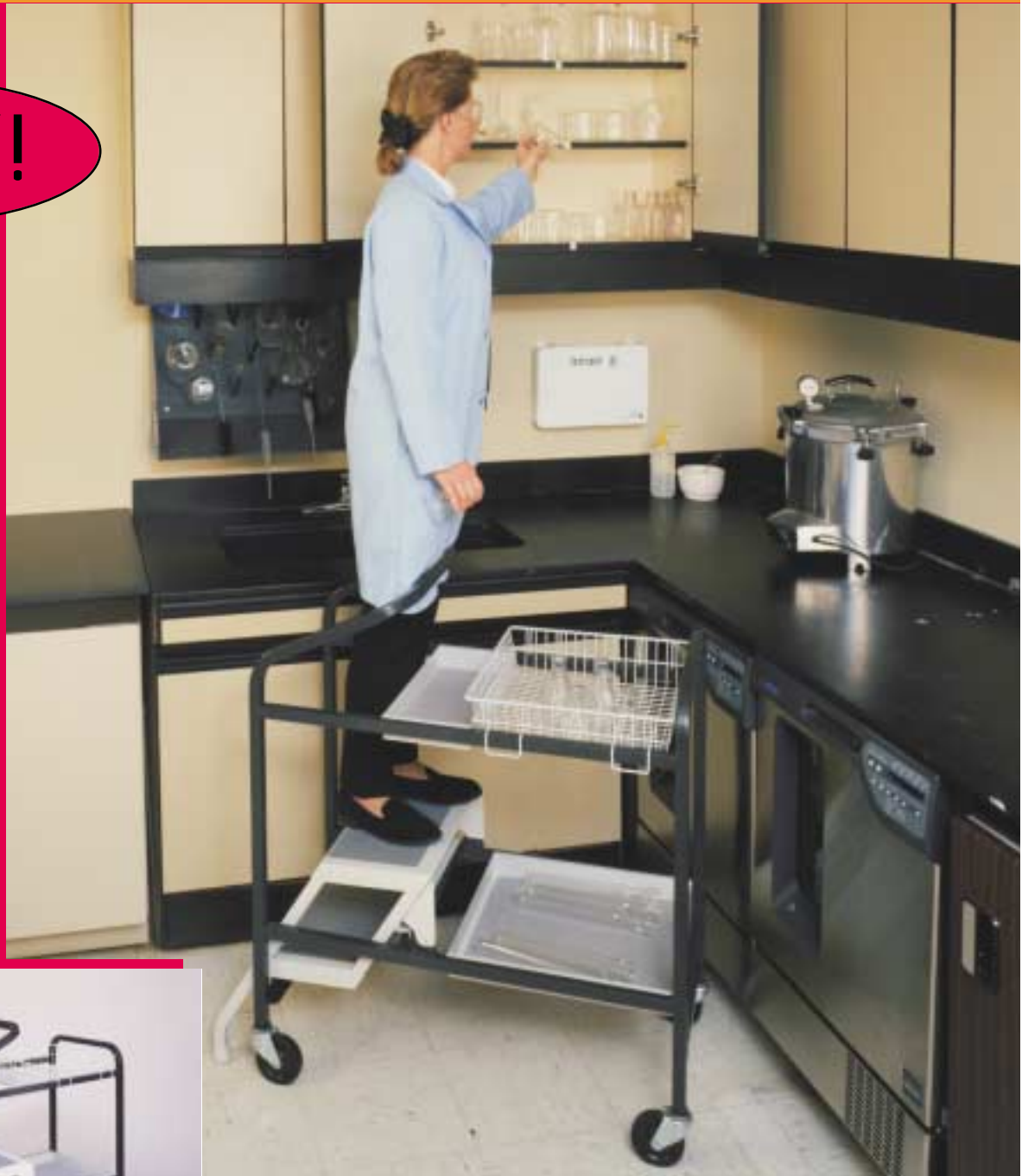


Reach & Roll™

Step Ladder & Cart In One

NEW!



LABCONCO®

Reach & Roll™ Cart 80210-00

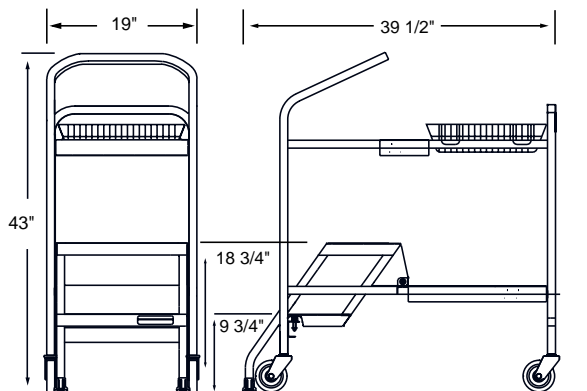
Features and Benefits



Reach & Roll Cart 80210-00

- Two watertight, epoxy-coated steel pans, one on top and one on bottom, with gray vinyl mats, and one vinyl-coated wire basket hold a variety of supplies, equipment and miscellaneous containers and are fully removable for cleaning.
- Sturdy, two-step ladder with non-skid surface conforms to OSHA and ANSI design guidelines.
- Spring-loaded steps with skid-resistant, rubber feet prevent cart from moving while user stands on the ladder.
- 16 1/2" (42 cm) wide oversized steps provide security and stability when reaching for items on high shelves.
- Angled safety handrail provides solid grip and extra security.
- Welded frame of 1" (25 mm) square steel tubing provides durability. Baked-on epoxy powder coating is abrasion and corrosion resistant. Colors are glacier white and charcoal.
- 4" (10 cm) hard rubber casters stabilize movement over rough, uneven floors.
- Delivered ready to roll; no assembly required.
- Lifetime guarantee ensures quality workmanship.
- Cart transports loads up to 400 lbs. (181.4 kg)
- Steps withstand loads up to 1000 lbs. (453.6 kg)
- Shipping weight: 69 lbs. (31.3 kg)
- Dimensions: Cart is 19" wide x 39 1/2" long x 43" high (48.3 x 100.3 x 109.2 cm). Top pan is 6 1/2" x 16 3/4" x 2" (16.5 x 42.5 x 5.1 cm). Bottom pan is 17 1/2" x 16 3/4" x 2" (44.5 x 42.5 x 5.1 cm). Basket is 16" x 18" x 4" (40.6 x 45.7 x 10.2 cm).

Dimensional Data



The Labconco Reach & Roll Cart is useful in a variety of settings, such as mail rooms, libraries, stock rooms and laboratories.

LIFETIME GUARANTEE

At Labconco, we build our carts to last and we guarantee them for life. If you are ever dissatisfied with the performance of your Labconco Cart, we'll replace it free.



For more information, please contact us:

[ExpotechUSA](#)
[10700 Rockley Road](#)
[Houston, Texas 77099](#)
[USA](#)

[281-496-0900 \[voice\]](#)

[281-496-0400 \[fax\]](#)

E-mail: sales@expotechusa.com

Website: www.ExpotechUSA.com