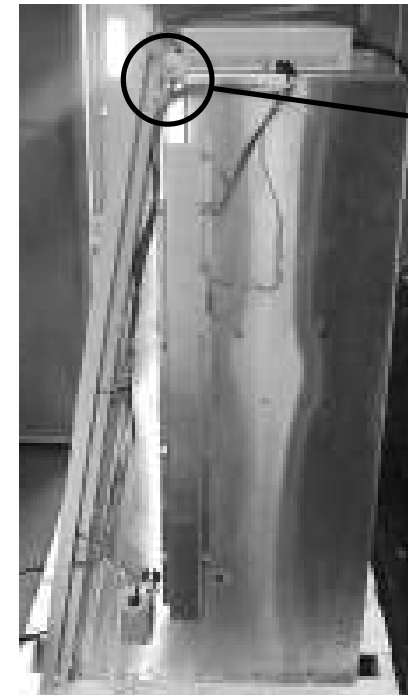
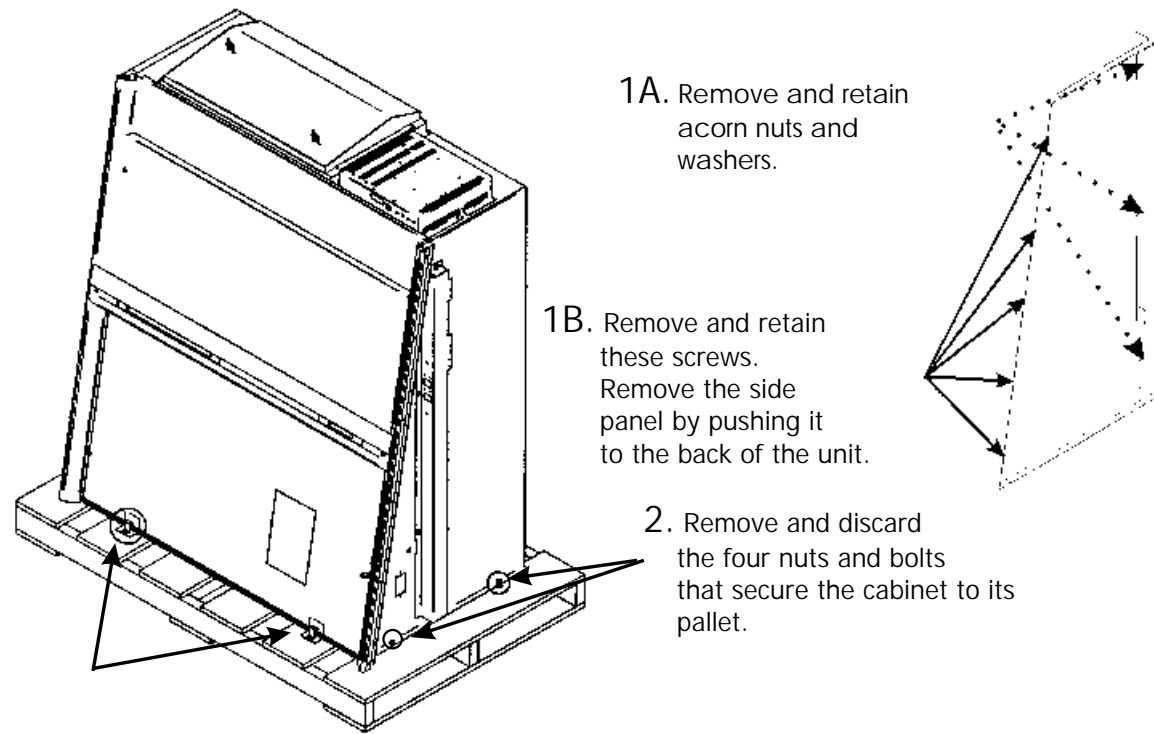


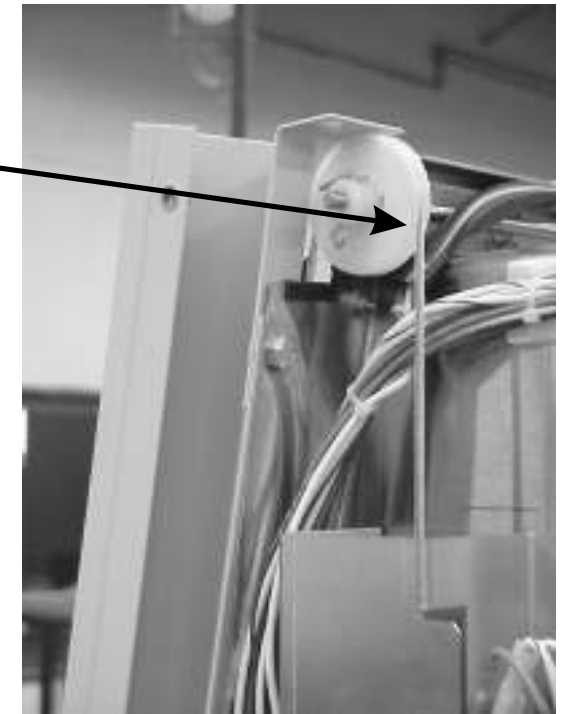


# SAFETY CABINET ASSEMBLY INSTRUCTIONS

**WARNING: TO PREVENT DAMAGE, YOU MUST FOLLOW THE INSTALLATION SEQUENCE LISTED BELOW:**

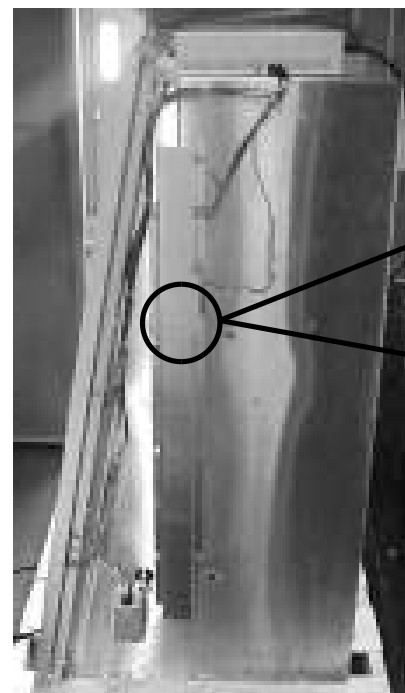


Side view

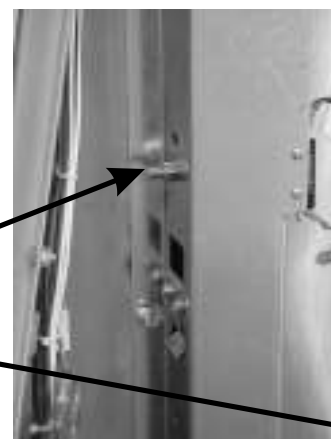


Upper side view

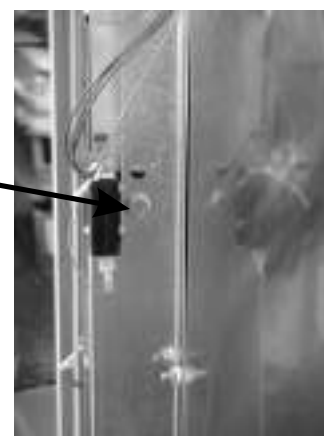
4. Ensure that the cables on BOTH sides of the sash are seated in their pulleys.



Side view



Side view



Rear view

5. Remove the weight-restraining bolt on each weight by removing the nut, lifting the weight and pulling the bolt straight out. Discard the nut and bolt.



6. Raise the sash, and install the two sash stop screws and spacers on the front of the cabinet.



**WARNING: DO NOT USE THE SAFETY CABINET UNTIL IT HAS BEEN CERTIFIED BY A QUALIFIED CERTIFIER.**

For more information, please contact us:

[ExpotechUSA](#)  
[10700 Rockley Road](#)  
[Houston, Texas 77099](#)  
[USA](#)

[281-496-0900 \[voice\]](#)

[281-496-0400 \[fax\]](#)

E-mail: [sales@expotechusa.com](mailto:sales@expotechusa.com)

Website: [www.ExpotechUSA.com](http://www.ExpotechUSA.com)