

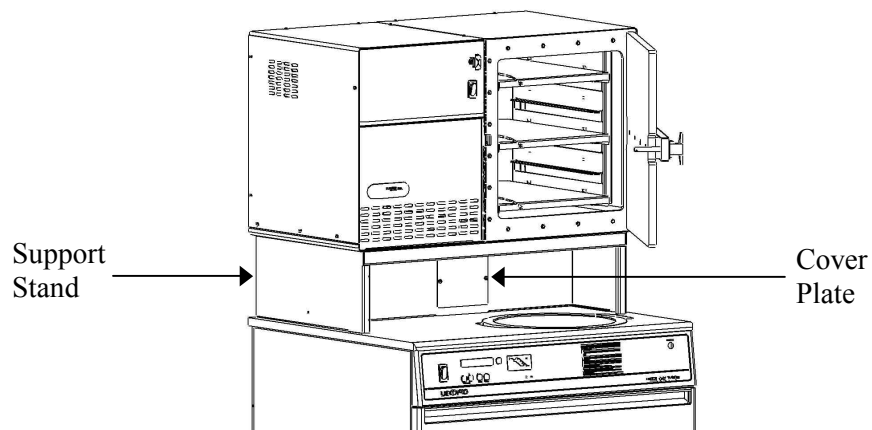
Model 7726500 - 6-Port Manifold for FreeZone® Stoppering Tray Dryers and Bulk Tray Dryers

Introduction-

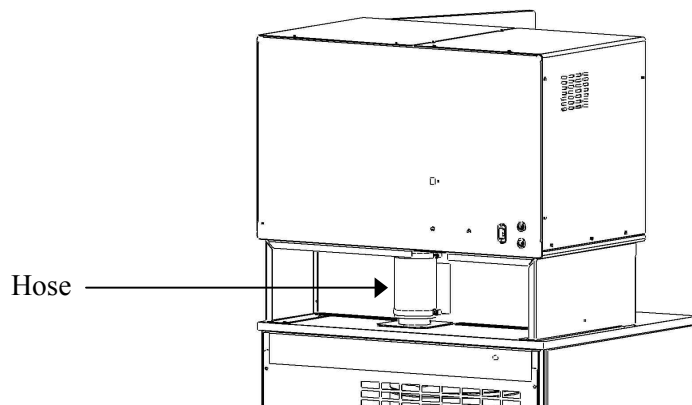
This accessory expands the versatility of a Freeze Dry System that is equipped with a Stoppering or Bulk Tray Dryer by adding 6 sample valves which allow samples to be freeze dried in flasks or other glassware. The Manifold is mounted between the Tray Dryer and the Freeze Dry System and allows samples to be freeze dried within the Tray Dryer and on the Manifold simultaneously or independently of the other.

Installation of Manifold

1. Remove the cover plate from the front center of the support stand by removing two screws.



2. Loosen the two clamps in the rear that secure the hose connecting the Tray Dryer to the Freeze Dry System. Remove the hose.



For more information, please contact us:

[ExpotechUSA](#)
[10700 Rockley Road](#)
[Houston, Texas 77099](#)
[USA](#)

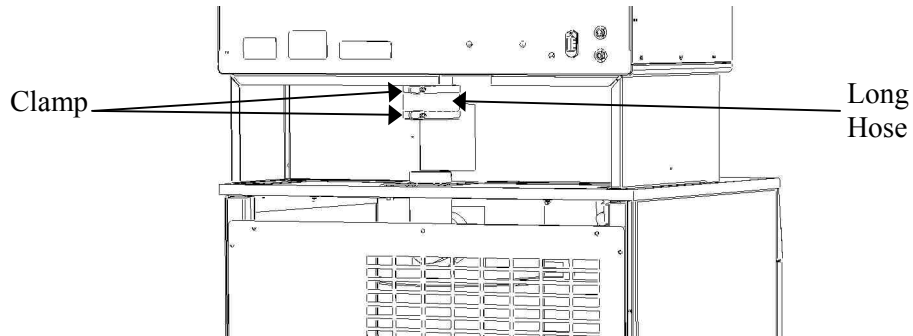
[281-496-0900 \[voice\]](#)

[281-496-0400 \[fax\]](#)

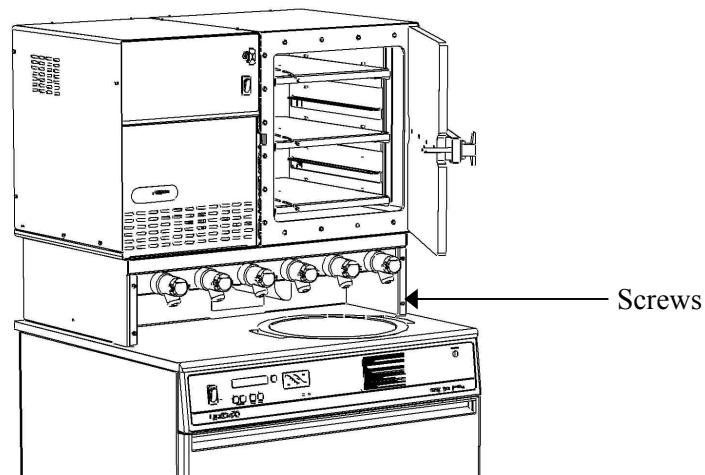
E-mail: sales@expotechusa.com

Website: www.ExpotechUSA.com

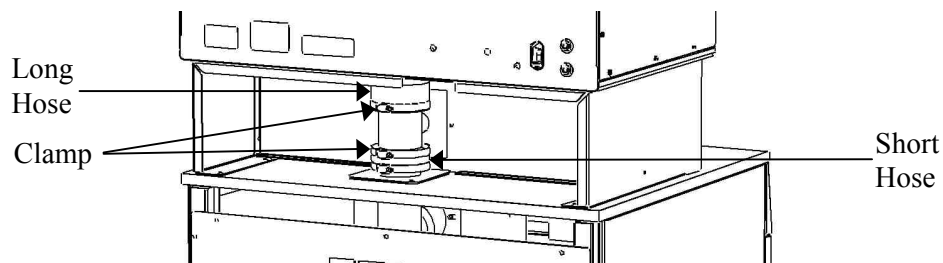
- Slide the longer hose shipped with the 6-Port Manifold all the way up onto the 3 inch diameter tube that extends down from the Tray Dryer. Place two hose clamps around the hose and tighten just enough to hold them in place.



- Attach the 6-Port Manifold to the support stand by first sliding the 3 inch diameter vertical tube on the manifold through the hole in the support stand. Secure the manifold to the support stand using the four screws that are supplied.

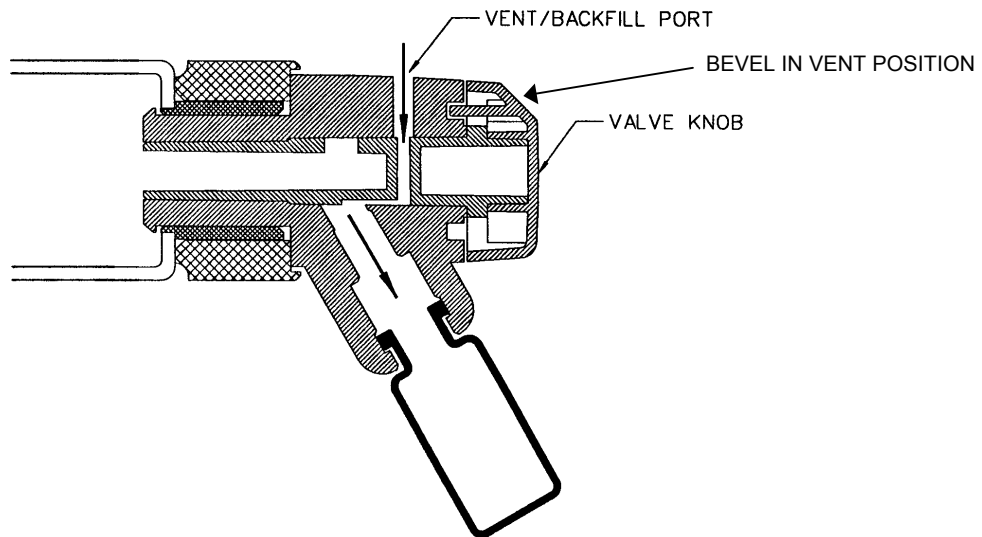


- Slide the upper and lower hoses down and clamp securely.

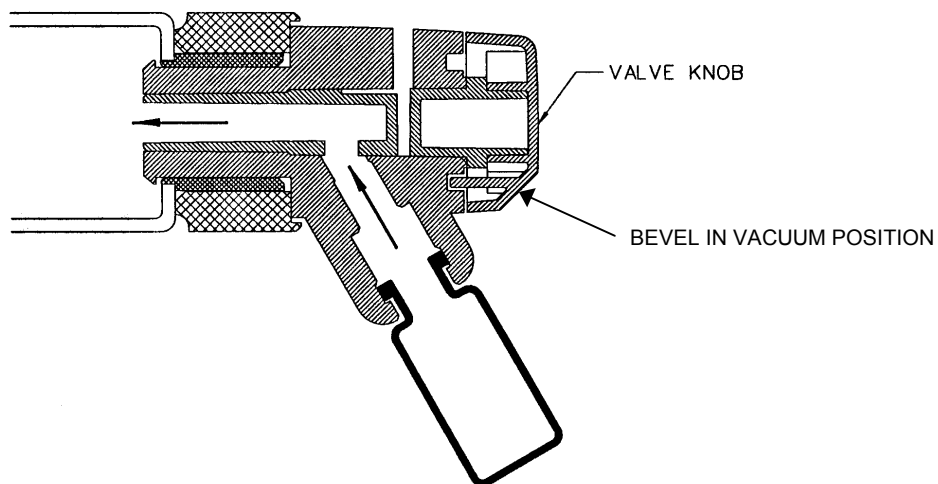


Valve Operation

When the Freeze Dry System is started, the valves should all be in the vent position. (The bevel on the knob should point away from the sample port). This will allow vacuum to build up in the system.



When the temperature and vacuum reach conditions appropriate for lyophilization, attach the sample container to the valve. Apply vacuum to the sample by rotating the knob to the vacuum position. (The bevel on the knob should be positioned toward the sample port).



Let the samples run until primary and secondary freeze drying are complete. Release vacuum by turning the valve to the vent position. The vent port may also be used to introduce sterile air or dry Nitrogen into the sample container.

Notes-

When freeze drying using manifold valves, the door on the Stoppering or Bulk Tray Dryer must be closed and the vacuum release knob positioned to “closed.” When freeze drying using the Stoppering or Bulk Tray Dryer, manifold sample valves that are not in use must be in the vent position.

- Always vent the vacuum line before turning off the vacuum pump by opening a valve to vent position or turning the vacuum release valve on the Stoppering Tray Dryer.
- Make sure all vacuum connections are secure to prevent leaks.
- Wear appropriate protective attire and eye protection.
- Clean stainless steel collection chamber after use.
- Do not use damaged, scratched or chipped glassware.

Warranty-

Labconco provides a warranty on all parts and factory workmanship. The warranty includes areas of defective material and workmanship, provided such defect results from normal and proper use of the equipment.

The warranty for all Labconco products will expire one year from date of installation or two years from date of shipment from Labconco, whichever is sooner, except the following:

- Purifier® Delta® Series Biological Safety Cabinets carry a three-year warranty from date of installation or four years from date of shipment from Labconco, whichever is sooner.
- Carts carry a lifetime warranty.
- Glassware is not warranted from breakage when dropped or mishandled.

This limited warranty covers parts and labor, but not transportation and insurance charges. In the event of a warranty claim, contact Labconco Corporation or the dealer who sold you the product. If the cause is determined to be a manufacturing fault, the dealer or Labconco Corporation will repair or replace all defective parts to restore the unit to operation. Under no circumstances shall Labconco Corporation be liable for indirect, consequential, or special damages of any kind. This statement may be altered by a specific published amendment. No individual has authorization to alter the provisions of this warranty policy or its amendments. Lamps and filters are not covered by this warranty. Damage due to corrosion or accidental breakage is also not covered.

Shipping Claims-

If a shipment is received in visibly damaged condition, be certain to make a notation on the delivering carrier's receipt and have his agent confirm the damage on your receipt. Otherwise, the damage claim may be refused.

If concealed damage or pilferage is discovered, notify the carrier immediately and retain the entire shipment intact for inspection. Interstate Commerce Commission rules requires that the claim be filed with the carrier within 15 days after delivery.

NOTE: Do not return goods. Goods returned without prior authorization will not be accepted. Labconco Corporation and its dealers are not responsible for shipping damage. The recipient must file claims directly with the freight carrier. If authorization has been received to return this product, by accepting this approval, the user assumes all responsibility and liability for biological and chemical decontamination and cleansing. Labconco reserves the right to refuse delivery of any products that do not appear to have been properly cleaned and/or decontaminated prior to return.

For more information, please contact us:

[ExpotechUSA](#)
[10700 Rockley Road](#)
[Houston, Texas 77099](#)
[USA](#)

[281-496-0900 \[voice\]](#)

[281-496-0400 \[fax\]](#)

E-mail: sales@expotechusa.com

Website: www.ExpotechUSA.com