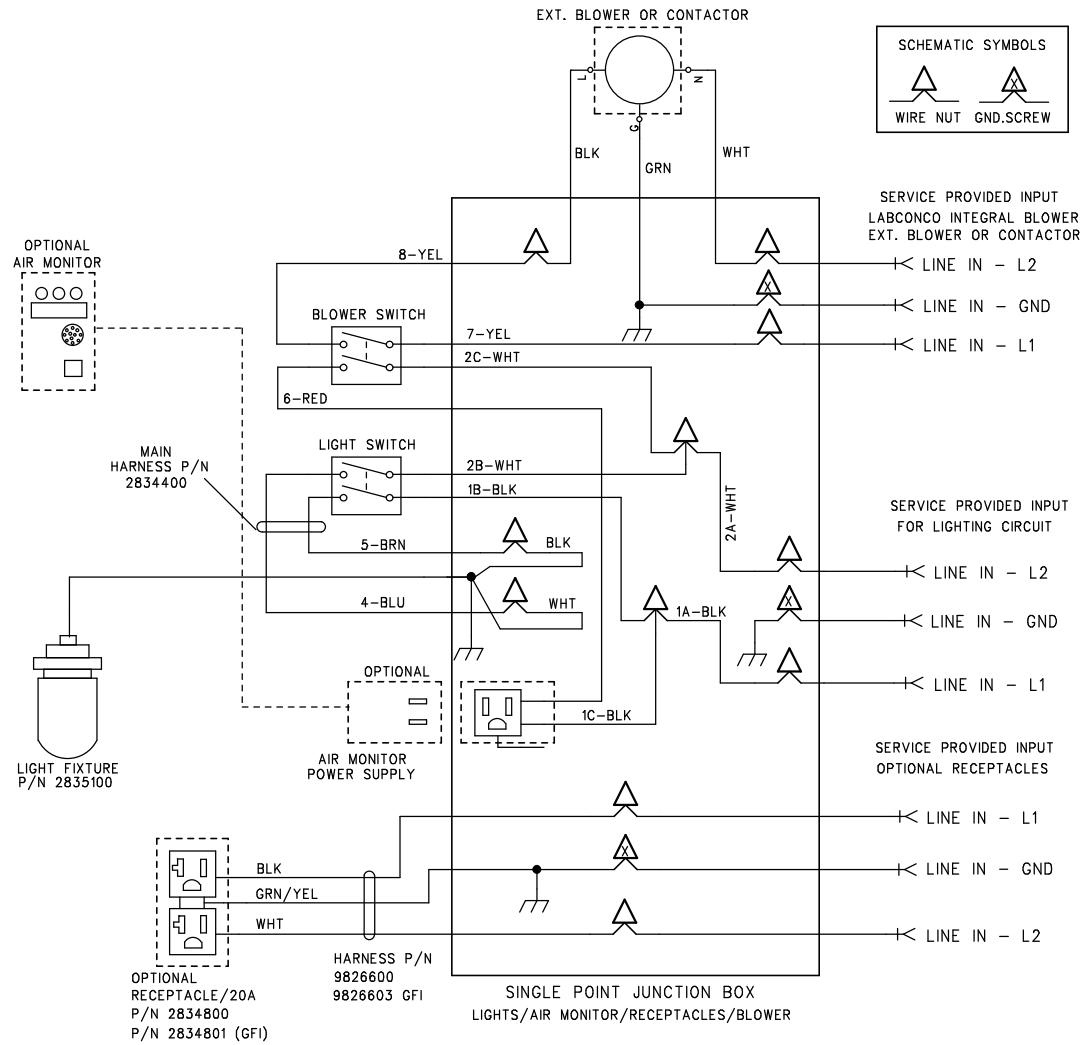


**WARNING**  
DISCONNECT FROM POWER SOURCE  
PRIOR TO SERVICING UNIT

**LABCONCO**

WIRING DIAGRAM  
PROTECTOR HOODS  
30 SERIES 115V/60 HZ.  
P/N 2834600 REV.A



For more information, please contact us:

ExpotechUSA  
10700 Rockley Road  
Houston, Texas 77099  
USA

281-496-0900 [voice]

281-496-0400 [fax]

E-mail: sales@expotechusa.com

Website: www.ExpotechUSA.com